



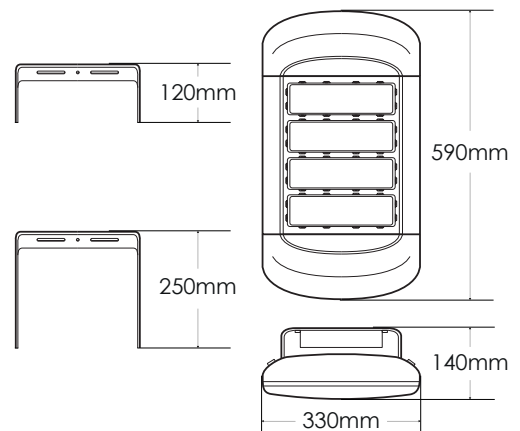
## 200W MODULAR HIGHBAY

### SPECIFICATIONS

Operating Voltage	AC 100V ~ 277V
Power Efficiency	91%
Power Factor	0.95
Driver Current	860mA
LED Units	18 Units × 4
System Power	200W
Luminous Efficacy	150lm/W
Initial Luminous Flux	30,000lm
Light Distribution Curve	90°
Colour Temperature	5700K
CRI	Ra≥70
Lighting Source	Philips-Lumileds
Working Environment	-40 ~ 50°C
LED Lifespan	>50,000 hours
Housing	Aluminium Alloy
Dimensions	590 x 330 x 140mm
Weight (kg)	8.1kg
Surge Voltage	4KV
IP Rating	Module - IP68 / Driver - IP67
Certification	SAA / CE / RoHS
Warranty	5 years



40W / 50W / 60W MODULE OPTIONS



### OPTIONS

CCT Options: 3000K / 4000K / 5000K / 5700K

Bracket Options: Short – 120mm / Long – 250mm

Light Distribution Options: 12° / 25° / 40° / 60° / 90°

Housing Colour Options: Black / White / Silver